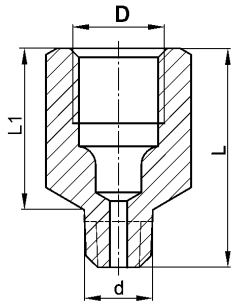

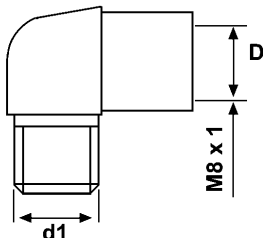



## ELEMENTY ZŁĄCZNE SKRĘCANE

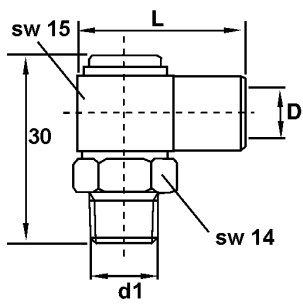

### Przyłączki

| <br> | Przyłączka prosta - korpus |       |         |    |    |    |            |               |
|---|----------------------------|-------|---------|----|----|----|------------|---------------|
|   | d                          | D     | przewód | L  | L1 | SW | Oznaczenie | Nr katalogowy |
|   | M 6x1k                     | M 8x1 | 4       | 18 | 10 | 11 | E1681      | 425100100120  |
|   | M 8x1k                     | M 8x1 | 4       | 18 | 10 | 11 | E1881      | 425000006050  |
|   | M 8x1k                     | M 8x1 | 4       | 32 | 10 | 11 | E1883      | 425100100132  |
|   | M 8x1k                     | M 8x1 | 4       | 63 | 10 | 11 | E1886      | 425100100135  |
|   | M10x1k                     | M 8x1 | 4       | 18 | 10 | 11 | E1181      | 425000006051  |
|   | R 1/8                      | M 8x1 | 4       | 18 | 10 | 11 | E1581      | 425100100155  |
|   | M 8x1k                     | M10x1 | 6       | 23 | 11 | 13 | E1812      | 425100100137  |
|   | M10x1k                     | M10x1 | 6       | 18 | 11 | 13 | E1111      | 425000006052  |
|   | M10x1k                     | M10x1 | 6       | 23 | 11 | 13 | E1112      | 425100100141  |
|   | M10x1k                     | M10x1 | 6       | 35 | 11 | 13 | E1113      | 425100100145  |
|   | M10x1k                     | M10x1 | 6       | 40 | 11 | 13 | E1114      | 425100100143  |
|   | M10x1k                     | M10x1 | 6       | 50 | 11 | 13 | E1115      | 425100100146  |
|   | R 1/8                      | M10x1 | 6       | 18 | 11 | 13 | E1511      | 425100100151  |
|   | R 1/4                      | M10x1 | 6       | 20 | 11 | 17 | E1412      | 425100100144  |

Korpus przyłączki może być używany także jako adapter.

| <br> | Przyłączka kąтова - korpus |       |         |            |               |
|--|----------------------------|-------|---------|------------|---------------|
|  | d                          | D     | przewód | Oznaczenie | Nr katalogowy |
|  | M 6x1k                     | M 8x1 | 4       | EK9681     | 425100104121  |
|  | M 8x1k                     | M 8x1 | 4       | EK9881     | 425100104122  |
|  | M10x1k                     | M 8x1 | 4       | EK9181     | 425100104123  |

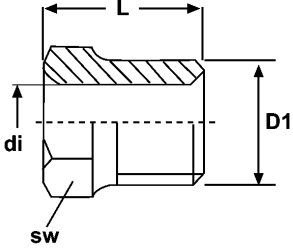

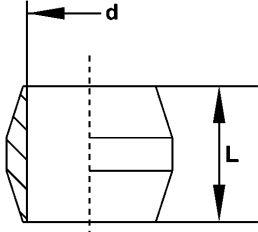

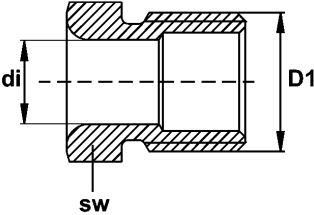

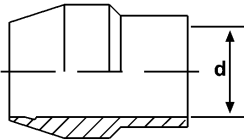

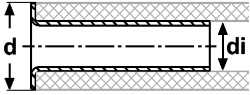

Korpus przyłączki może być używany także jako adapter.

| <br> | Przyłączka kąтова nastawna - korpus |       |         |    |            |               |
|--|-------------------------------------|-------|---------|----|------------|---------------|
|  | d                                   | D     | przewód | L  | Oznaczenie | Nr katalogowy |
|  | M 8x1k                              | M 8x1 | 4       | 27 | EB9881     | 425100104172  |
|  | M10x1k                              | M 8x1 | 4       | 27 | EB9181     | 425100104173  |
|  | M 6x1k                              | M10x1 | 6       | 29 | EB9611     | 425100106171  |
|  | M 8x1k                              | M10x1 | 6       | 29 | EB9811     | 425100106172  |
|  | M10x1k                              | M10x1 | 6       | 29 | EB9111     | 425100106173  |
|  | R 1/8                               | M10x1 | 6       | 29 | EB9511     | 425100106174  |

Korpus przyłączki może być używany także jako adapter.

Zastrzeżenie: możliwość zmian

**Łączniki**

|       | <p><b>Łącznik - wkrętka</b></p> <table border="1"> <thead> <tr> <th>di</th> <th>D1</th> <th>sw</th> <th>L</th> <th>Oznaczenie</th> <th>Nr katalogowy</th> </tr> </thead> <tbody> <tr> <td>4</td> <td>M 8x1</td> <td>8</td> <td>12</td> <td>MB4</td> <td>425100104205</td> </tr> <tr> <td>6</td> <td>M 10x1</td> <td>10</td> <td>14</td> <td>MB6</td> <td>425100106205</td> </tr> </tbody> </table>  | di            | D1            | sw            | L             | Oznaczenie    | Nr katalogowy | 4     | M 8x1        | 8            | 12           | MB4  | 425100104205 | 6  | M 10x1 | 10           | 14           | MB6 | 425100106205 |       |              |   |     |       |              |
|---|---|---------------|---------------|---------------|---------------|---------------|---------------|-------|--------------|--------------|--------------|------|--------------|----|--------|--------------|--------------|-----|--------------|-------|--------------|---|-----|-------|--------------|
| di  | D1  | sw            | L             | Oznaczenie    | Nr katalogowy |               |               |       |              |              |              |      |              |    |        |              |              |     |              |       |              |   |     |       |              |
| 4   | M 8x1   | 8             | 12            | MB4           | 425100104205  |               |               |       |              |              |              |      |              |    |        |              |              |     |              |       |              |   |     |       |              |
| 6   | M 10x1  | 10            | 14            | MB6           | 425100106205  |               |               |       |              |              |              |      |              |    |        |              |              |     |              |       |              |   |     |       |              |
|       | <p><b>Pierścień zaciskowy</b></p> <table border="1"> <thead> <tr> <th>d</th> <th>L</th> <th>Oznaczenie</th> <th>Nr katalogowy</th> </tr> </thead> <tbody> <tr> <td>4</td> <td>5,5</td> <td>CRB4</td> <td>425100104215</td> </tr> <tr> <td>6</td> <td>7,0</td> <td>CRB6</td> <td>425100106215</td> </tr> </tbody> </table>   | d             | L             | Oznaczenie    | Nr katalogowy | 4             | 5,5           | CRB4  | 425100104215 | 6            | 7,0          | CRB6 | 425100106215 |    |        |              |              |     |              |       |              |   |     |       |              |
| d   | L   | Oznaczenie    | Nr katalogowy |               |               |               |               |       |              |              |              |      |              |    |        |              |              |     |              |       |              |   |     |       |              |
| 4   | 5,5   | CRB4          | 425100104215  |               |               |               |               |       |              |              |              |      |              |    |        |              |              |     |              |       |              |   |     |       |              |
| 6   | 7,0   | CRB6          | 425100106215  |               |               |               |               |       |              |              |              |      |              |    |        |              |              |     |              |       |              |   |     |       |              |
|     | <p><b>Łącznik - wkrętka</b></p> <table border="1"> <thead> <tr> <th>di</th> <th>D1</th> <th>SW</th> <th>Oznaczenie</th> <th>Nr katalogowy</th> </tr> </thead> <tbody> <tr> <td>4</td> <td>M 8x1</td> <td>8</td> <td>MS4</td> <td>425100104220</td> </tr> <tr> <td>10</td> <td>M16x1,5</td> <td>17</td> <td>MS10</td> <td>425100110220</td> </tr> </tbody> </table>  | di            | D1            | SW            | Oznaczenie    | Nr katalogowy | 4             | M 8x1 | 8            | MS4          | 425100104220 | 10   | M16x1,5      | 17 | MS10   | 425100110220 |              |     |              |       |              |   |     |       |              |
| di  | D1  | SW            | Oznaczenie    | Nr katalogowy |               |               |               |       |              |              |              |      |              |    |        |              |              |     |              |       |              |   |     |       |              |
| 4   | M 8x1   | 8             | MS4           | 425100104220  |               |               |               |       |              |              |              |      |              |    |        |              |              |     |              |       |              |   |     |       |              |
| 10  | M16x1,5   | 17            | MS10          | 425100110220  |               |               |               |       |              |              |              |      |              |    |        |              |              |     |              |       |              |   |     |       |              |
|   | <p><b>Pierścień zaciskowy</b></p> <table border="1"> <thead> <tr> <th>d</th> <th>Oznaczenie</th> <th>Nr katalogowy</th> </tr> </thead> <tbody> <tr> <td>4</td> <td>CRS4</td> <td>425100104211</td> </tr> <tr> <td>10</td> <td>CRS10</td> <td>425100110211</td> </tr> </tbody> </table>  | d             | Oznaczenie    | Nr katalogowy | 4             | CRS4          | 425100104211  | 10    | CRS10        | 425100110211 |              |      |              |    |        |              |              |     |              |       |              |   |     |       |              |
| d   | Oznaczenie  | Nr katalogowy |               |               |               |               |               |       |              |              |              |      |              |    |        |              |              |     |              |       |              |   |     |       |              |
| 4   | CRS4  | 425100104211  |               |               |               |               |               |       |              |              |              |      |              |    |        |              |              |     |              |       |              |   |     |       |              |
| 10  | CRS10   | 425100110211  |               |               |               |               |               |       |              |              |              |      |              |    |        |              |              |     |              |       |              |   |     |       |              |
|   | <p><b>Tulejka wzmacniająca do przewodu</b></p> <table border="1"> <thead> <tr> <th>d</th> <th>di</th> <th>Oznaczenie</th> <th>Nr katalogowy</th> </tr> </thead> <tbody> <tr> <td>4</td> <td>2,0</td> <td>JTP42</td> <td>425704005260</td> </tr> <tr> <td>4</td> <td>2,3</td> <td>RS4</td> <td>425100104203</td> </tr> <tr> <td>6</td> <td>3,5</td> <td>RS6</td> <td>425100106203</td> </tr> <tr> <td>6</td> <td>4,0</td> <td>JTP64</td> <td>425706005260</td> </tr> <tr> <td>8</td> <td>6,0</td> <td>JTP86</td> <td>425708005260</td> </tr> </tbody> </table> | d             | di            | Oznaczenie    | Nr katalogowy | 4             | 2,0           | JTP42 | 425704005260 | 4            | 2,3          | RS4  | 425100104203 | 6  | 3,5    | RS6          | 425100106203 | 6   | 4,0          | JTP64 | 425706005260 | 8 | 6,0 | JTP86 | 425708005260 |
| d   | di  | Oznaczenie    | Nr katalogowy |               |               |               |               |       |              |              |              |      |              |    |        |              |              |     |              |       |              |   |     |       |              |
| 4   | 2,0   | JTP42         | 425704005260  |               |               |               |               |       |              |              |              |      |              |    |        |              |              |     |              |       |              |   |     |       |              |
| 4   | 2,3   | RS4           | 425100104203  |               |               |               |               |       |              |              |              |      |              |    |        |              |              |     |              |       |              |   |     |       |              |
| 6   | 3,5   | RS6           | 425100106203  |               |               |               |               |       |              |              |              |      |              |    |        |              |              |     |              |       |              |   |     |       |              |
| 6   | 4,0   | JTP64         | 425706005260  |               |               |               |               |       |              |              |              |      |              |    |        |              |              |     |              |       |              |   |     |       |              |
| 8   | 6,0   | JTP86         | 425708005260  |               |               |               |               |       |              |              |              |      |              |    |        |              |              |     |              |       |              |   |     |       |              |